



NOVA N-4060

Flexible Presentation Counter Scanner

SCANTECH ID[®]
CHAMPTEK Group

Introduction

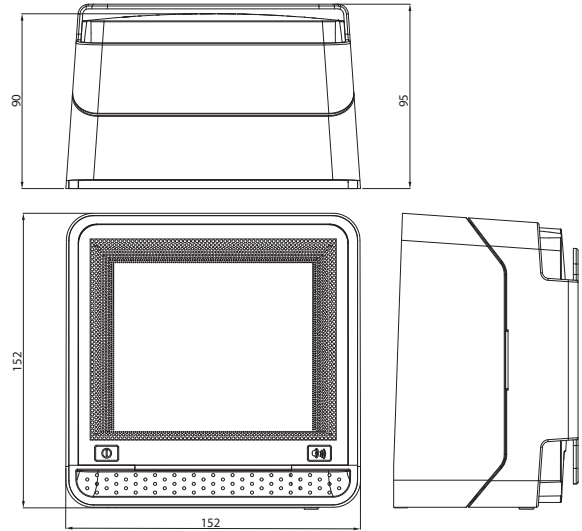
NOVA N-4060 has excellent design with a new back-end which can create an outstanding product performance and reliability. This scanner features are high inerrability, flexibility, scanning, and decoding capability. It is ideally suited for supermarkets, pharmacies, petrolstations, and other similar retail stores.

Based on the standard product reliability, the product design concept is fully focused on user's mode. It also reduces time and cost. Our solutions provide instant and accurate scanning, making the checkout process more efficient for you and more convenient for your customers. True presentation scanning, with Omni-directional and pass-by scan capabilities offer a faster and more natural way of working.

Features

- Scan pattern of Omni-directional scanning by maximizing productivity.
- Read all 1D standard bar codes include GS1 Databar family symbols to future proof your investment.
- Automatic sleep and wake-up mode which saves power and improves life time.
- Support multiple interfaces to allow with only a cable change.
- STAR code reconstruction technique allows easy reading of truncated, damaged and substandard bar codes.
- Scanner Tuner software allows for easy programming and set up of scanners.
- Support wall-mount hanging for easy installation.
- Anti-scraping protection glass window.
- Touchscreen button for Sleep/Wake & Volume.

NOVA N-4060



Specifications

Physical Characteristics

| | |
|--------|-------------------|
| Depth | 90mm / 3.54 inch |
| Width | 152mm / 5.98 inch |
| Height | 152mm / 5.98 inch |
| Weight | 450g |
| Color | Black / White |

Electrical

| | |
|---------------------|---|
| DC input to scanner | 5VDC, 180mA |
| Interfaces | RS232 / KBW / USB(HID and COM port emulation) / Power USB(Optional) |

Scanner Characteristics

| | |
|----------------|--|
| Light source | 650 nm visible laser diode |
| Depth of field | up to 250 mm @ EAN 0.33mm/ 13mil PCS 90% |
| Scan pattern | 7 direction scan fields, 24 lines scan pattern |
| Scan rate | 2400 scans/sec |
| Light level | Max 6400 LUX |
| Barcode types | Automatically discriminates all standard 1D bar codes include GS1 databar family, Omnidirectional, Stacked Omnidirectional, Expanded, Expanded Stacked, Truncated and Limited. |

Environmental


| | |
|-----------------------|-------------------------------------|
| Operating Temperature | 0°C ~ 50°C (32°F ~ 122°F) |
| Storage Temperature | -20°C ~ 70°C (-4.6°F ~ 158°F) |
| Humidity | 5% ~ 95% RH (non-condensing dew) |

Safety

| | |
|-------------------|--|
| Laser Safety | IEC 825-1 (2001) Class I, U.S. CDRH: 21CFR1040 Class II a |
| Electrical Safety | EN 60950 second edition |

EM Compatibility

| | |
|----------|-------------------------|
| EN 55022 | Class B, 2010/ AC: 2011 |
| EN 55024 | 2010 |

CE, FCC and RoHS compliant 

Due to Champtek's / Scantech ID's continuing product improvement programs, specifications and features are subject to change without notice.