



# VM300

## Magnetic Quick-Snap Dimensioner

SCANTECH ID<sup>®</sup>  
CHAMPTEK Group

### Introduction

The VM300 is designed for the need of accurate dimensional and shape data for efficient logistic operations in parcel pick-up, carrier collection points, warehouses and depots hubs. It is a dimensioner can be easily attached to the back of your PDA or mobile phone by its built-in magnet, it supports 2 interfaces Bluetooth wireless and USB type-C connection as selection to communicate with your device; its intuitive reading, unmatched fast performance and optimal price make it the best choice in the market.

With its intelligent reading zone detection and smart guiding aimer and alarms continuous beeps when no object is detected inside the good reading zone, leads customers to perform measurement very intuitively and quickly.

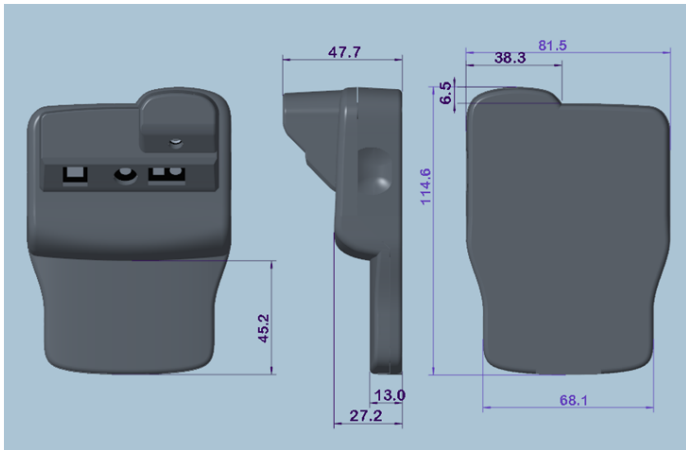
Whether it is a courier and express delivery company, a post office, a shipping station, a retail ship-from-store location, an airport check-in counter, an inbound station of a warehouse, the VM300 bundles with your PDA provide an efficient way to achieve quick measuring. This optimally priced dimensioning device provides quick return on investment for applications where the previous alternative was a tape or a ruler measure. Manual tape measurements resulted in lower accuracy, inconsistency and reduced productivity.

VM300 is a must-have and best choice for companies looking to measure packages, cartons, and objects to optimize its workload, workflow and space; it increases accuracy, consistency and user productivity in various applications.

### Features

- Easily magnetically stick to the back of most PDA or Mobile Phones
- 2 communication interfaces: Bluetooth and USB Type C cable
- Measure cuboid and irregular shaped parcels
- No extra ruler and self pre-calibration needed
- Intelligent reading zone detection and patented smart guiding aimer leads the measuring very quickly
- Intuitive reading and unmatched fact performance, measurement time: less 1 second
- Data output : W,H,L, sum dimension values, volume, dimensional weight, and an image (configurable)
- Min. 10cm cube, Max. 60cm cube
- Accuracy less than  $\pm 1 \sim \pm 2$ cm deviation by dimension
- Ambient lighting, 0 to 3000 Lux. , avoid direct sunlight
- All opaque packaging except black, very glossy and transparent
- Tools and command protocol
- Compatible to most market PDA or mobile phone
- Applicable to parcel pick-up, carrier collection points, warehouses and depots hubs

# VM300



## Specification

### Physical Characteristics

Dimension (W/D/H)	114.6 W x 81.5 D x 47.7 H mm
Weight (g/oz)	150g (5.29oz)

### Electrical Characteristics

Voltage Battery	Li-Ion 3.6V, 3350mAh
Power consumption (Typ.)	Standby 220mA, operating 450mA
Recharge time	Approx. 2 hours in sleep mode
Reads per charge	2,500 times continuous reads in 5 seconds reading duration or approx. 4 hours operation; you can recharge it any time you are not measuring by an USB type-c cable can extend it to daily 24 hours operation.

### Aimer Specifications

Wavelength	650±10nm red VLD
Classification	IEC 60825-1:2014 Class 1

### Environmental Specifications

Operating Temperature	0°C to 40°C (32°F to 104°F)
Storage Temperature	-20°C to 60°C (-4°F to 140°F)
Relative Humidity	0 to 70% relative humidity, non-condensing
Ambient light	0 to 3000 lux, avoid direct sunlight
Drop resistance	150cm (59.05 inches)

### Performance Specifications

Field of view	Horizontal 52°, Vertical 74°
Shape	Cuboid and irregular shaped parcels less than ±1cm~±2cm deviation by dimension
Accuracy	than ±1cm~±2cm deviation by dimension
Measurement time	Less 1 second
Object size	
Min. cube	10 cm / 0.394 inches cube
Max. cube	60 cm / 23.62 inches cube
Color	All opaque packaging except black, very glossy and transparent
Measurement angle	Skew : ± 7°, Pitch: 35° ~ 65°
Measurement surface	No black, transparent or very shining background
Indicator	Beep and Laser aimer indicator
Certification	CE, FCC, LVD

### Radio Characteristics

Bluetooth Module	Bluetooth 5.2
Frequency Band	2.402GHz~2.480GHz
RF Output Power	under 12dBm

### Tools and SDK

Configuration tool	VMSet, Windows App
Data viewer tool	VMView M, Android App
SDK	Communication command protocol

Due to Champtek's / Scantech ID's continuing product improvement programs, specifications and features are subject to change