

# SPECIFICATION

Customer : \_\_\_\_\_

Customer's Model No. : \_\_\_\_\_

Model No. : **LG610** Laser Bar Code Scanner Series \_\_\_\_\_

Date: \_\_\_\_\_

Sample Serial No. : \_\_\_\_\_

Spec. Version & Revision Date: V01

2015.12.15

Received/Approved by

**SCANTECH ID**<sup>®</sup>  
CHAMPTEK Group

**Web:** <http://scantech-id.com>  
**E-mail:** [sales@scantech-id.com](mailto:sales@scantech-id.com)

**SCANTECH ID**  
Heliumweg 34a 3812 RE Amersfoort,  
The Netherlands

**TEL:** +31 (0) 33 4698400  
**FAX:** +31 (0) 33 4650615

## Revision History

Version	Date	Context
V00	2015.04.10	Initial Release
V01	2015.12.15	Add IP42 description

## TABLE OF CONTENTS

A. General Description .....	1
B. Physical Characteristics .....	2
C. Electrical Characteristics .....	7
D. Performance .....	7
E. Environmental .....	7
F. Readable Symbologies .....	8
G. Scan Map.....	9
H. Reliability.....	9
I. Packing .....	10

## A. General Description



**LG610** is a general purpose gun-type laser bar code scanner which is designed especially for retail, logistic and warehousing management market. We include friendly functions with replaceable multiple interface cable options that makes it more easily to be operated by the customers to accommodate itself to user environment.

LG610 has most modern design with casing supports IP42 sealing protection, reading range up to 300 mm for the majority of 1D bar codes and GS1 DataBar™ codes. With its built-in automatic sense to switch on reading can extend its lifespan.

A stand option can be ordered to facilitate hand-free reading options.

In short, LG610 is a high performance laser bar code scanner, which provides the customer with the most cost-effective solution in the market. It is perfectly suitable and definitely the best choice for any retail and logistic environment.



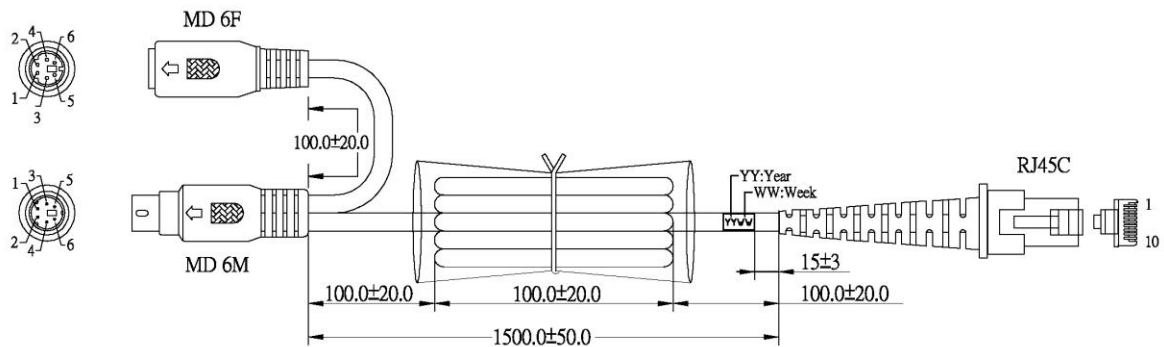
## B. Physical Characteristics

<b>Weight</b>	
Body weight	Approx. 123g / 4.348oz
<b>Material</b>	
	ABS and Rubber
<b>Cable Length</b>	
	5FT. ( 150cm )
<b>Connector</b>	
	RJ 45C 10Pins
<b>Dimension</b>	
	71.13 mm W x 62.61mm H x 169.27 mm L
<b>Color Available</b>	
	Black (Cap & Grip) / Black(Cap), Beige (Grip)

### Cable drawing

#### (1) Keyboard

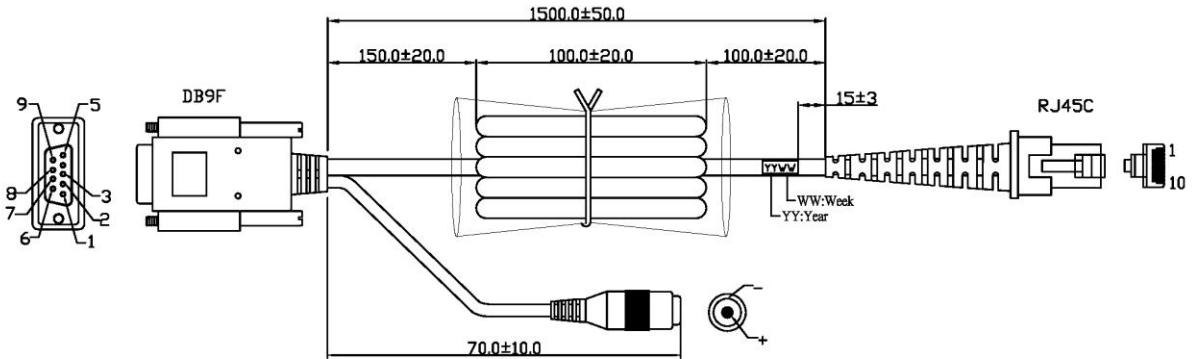
UNIT:mm



MD 6F	MD 6M	RJ45C	FUNCTION	COLOR
2	1		HOST DATA	Green
3	3	3	GND	Brown
4	5		HOST CLK	Blue
5	4	4	VCC	Red
6		5	KB CLK	Orange
8		1	KB DATA	Yellow
Spiral	Shell	Shell	SHELDING	

**(2) RS232**

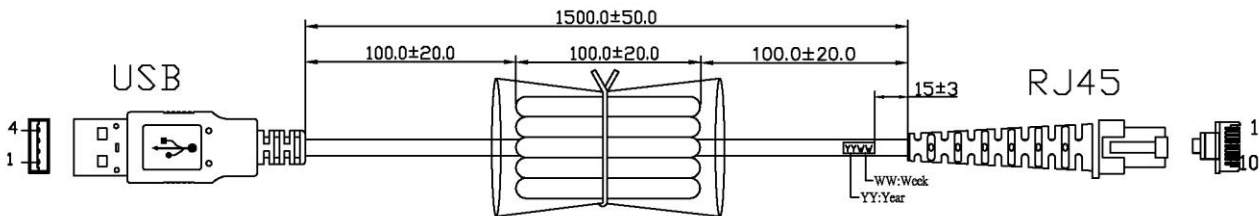
UNIT:mm



DB9F	RJ45C	DC JACK	FUNCTION	COLOR
5	3	Shell	GND	Brown
9	5	CORE	DC +5V	Red
2	7		TXD	Orange
3	9		RXD	Yellow
8	1		RTS	Green
7	10		CTS	Blue
Shell			Spiral	

**(3) USB**

UNIT:mm



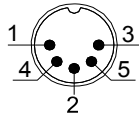
USB	RJ45	FUNCTION	COLOR
1	5	VCC	Red
2	4	D-	Blue
3	2	D+	Green
4	3	GND	Brown
Shell	3	SHIELDING	

## Pin Assignment

### (1) Keyboard Interface

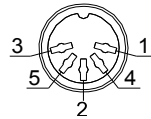
#### DIN 5 MALE

Pin No.	Function
1	HOST CLK
2	HOST DATA
4	GND
5	Vcc(+5V)



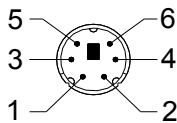
#### DIN 5 FEMALE

Pin No.	Function
1	KB CLK
2	KB DATA
4	GND
5	Vcc(+5V)



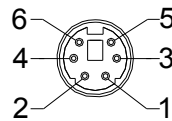
#### MiniDIN 6 MALE

Pin No.	Function
1	HOST DATA
3	GND
4	Vcc(+5V)
5	HOST CLK



#### MiniDIN 6 FEMALE

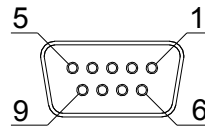
Pin No.	Function
1	KB DATA
3	GND
4	Vcc(+5V)
5	KB CLK



### (2) RS-232 Interface

#### DB 9 Female

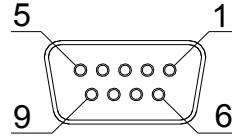
Pin No.	Function
2	TXD
3	RXD
5	GND
7	CTS
8	RTS
9	Vcc/+5V
Power Lead	Vcc/+5V



**(3) WAND Emulation Interface**

**DB 9 Female**

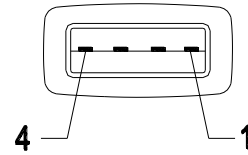
Pin No.	Function
2	DATA
7	GND
9	Vcc



**(4) USB Interface**

**USB A Type Male**

Pin No.	Function
1	Vcc
2	D-
3	D+
4	GND

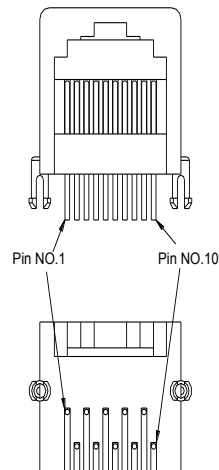


**Decoder Data Output**

Type RJ45 10P

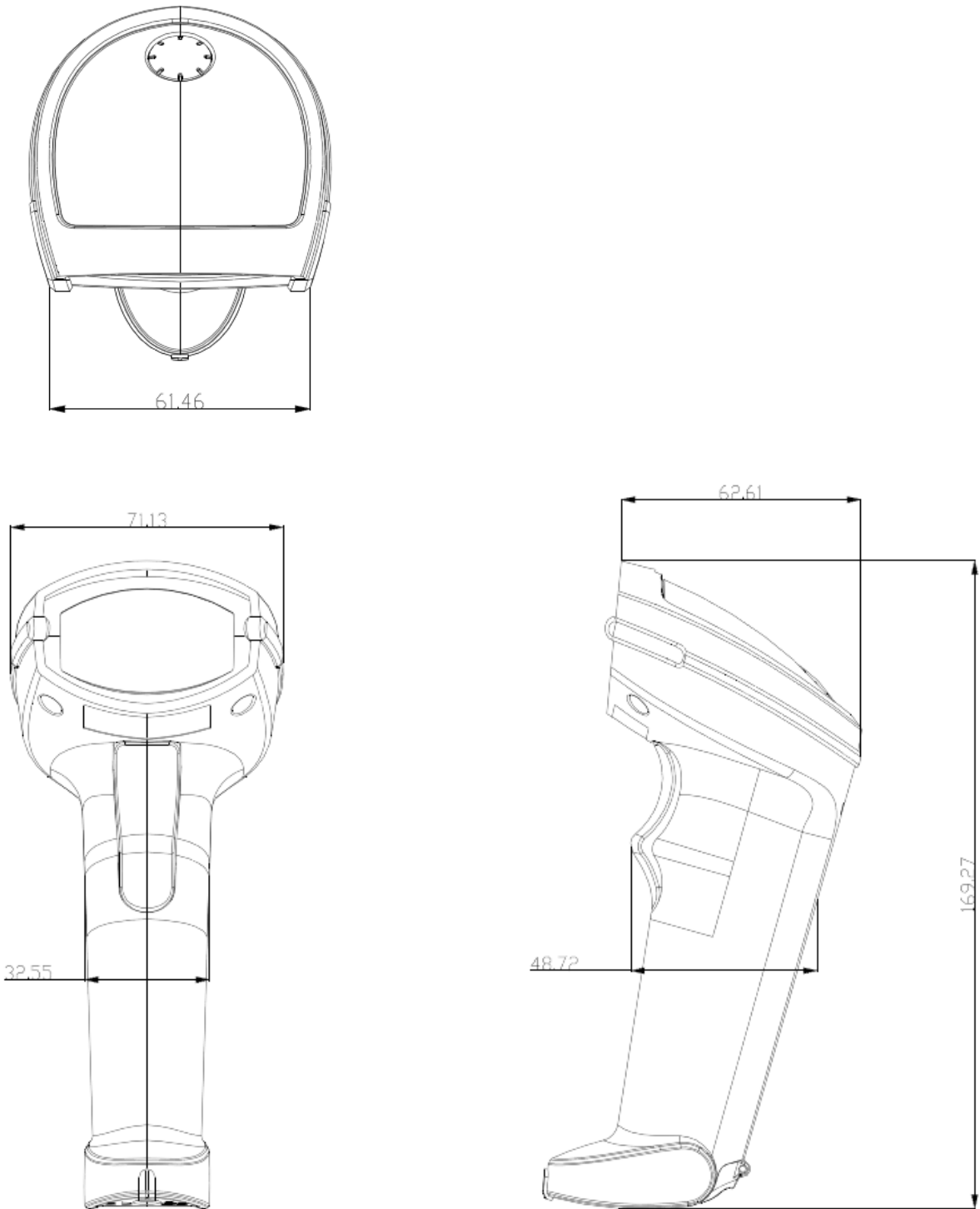
Pin No. Function

1	RTS
2	HOSTDATA
3	GND
4	HOST CLK
5	Vcc (+5V)
6	KB CLK
7	TXD
8	KB DATA
9	RXD
10	CTS





### Scanner Dimension



### C. Electrical Characteristics

Interface	RS232	KB	USB
Supply Voltage	DC +5V ±5%		
Output Voltage (Typ.)	±9V	+5V	+5V
Output low Voltage (Max.)	-	0.7V	0.4V
<b>Current Draw</b>			
Power On (Typ.)	250 mA	250 mA	250 mA
Stand by (Typ.)	100 mA	100 mA	100 mA
Operation (Typ.)	250 mA	250 mA	250 mA

### D. Performance

Light Source	Visible Laser Diode 650±10 nm
Scan Rate	50 scans per second ± 5%
Reading Distance	Up to 300mm@20mil/0.5mm, PCS90%, Code39
Print Contrast Ratio	30%
Resolution	5mil/0.127mm@PCS90%, Code39
Reading Angle	<i>Test Conditions : Code 39, 10mil/0.25mm, PCS 90%</i>
Forward / Backward	45° / 60°(±5°)
Left & Right	± 10°(±5°)
Ambient Light	5000 Lux Max.( Direct sun light)
Indicator	Beep and LED (Good read Green)
Sealing	Designed to IP42 water and dust protection

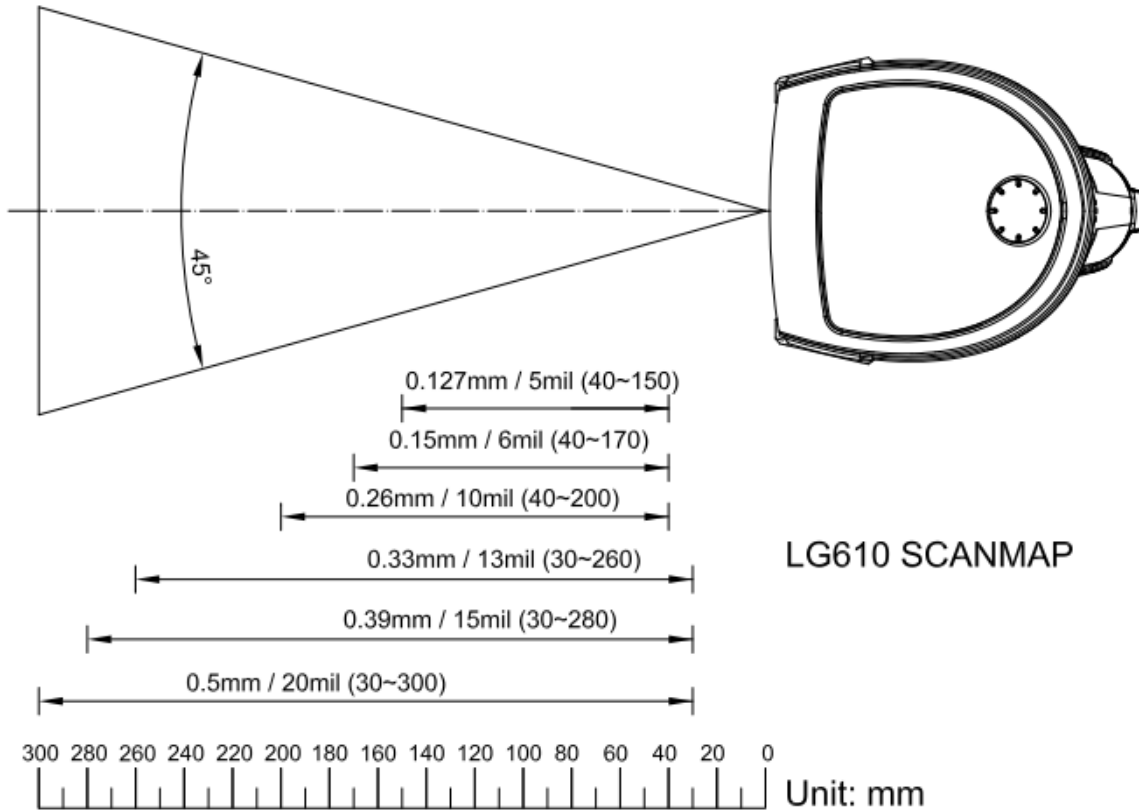
### E. Environmental

Operating Temperature	0 °C to 50 °C (32 °F to 122 °F)
Storage Temperature	-20 °C to 70 °C (-4 °F to 158 °F)
Relative Humidity	20% to 95% (Non-condensing)

**F. Readable Symbologies**

	Readable	Default Enable
All UPC/EAN/JAN	V	V
EAN128 Code	V	
Code 39	V	V
Code 39 Full ASCII	V	
Code32 / Italian Pharmacy	V	
Code 128	V	V
CODABAR/NW7	V	V
Interleave 25	V	V
Industrial 25	V	
Matrix 25	V	
MSI/PLESSEY	V	
Telepen	V	
Code 93	V	
Code 11	V	
China Postage	V	
Code 26	V	
LCD25	V	
GS1 DataBar Omnidirectional & Stacked	V	
GS1 DataBar Limited	V	
GS1 DataBar Expanded & Stacked	V	

### G. Scan Map



### H. Reliability

#### Life Time

Trigger Switch	1,000,000 times
MTBF(Calculated)	40,000 hours

#### Thermal Shock

High Temp.	50 °C (140 °F)
Low Temp.	-20 °C (-4 °F)
Cycle time	30 minutes for high temp. , 30 minutes for low temp.
Cycles	24 cycles

#### Cable Bending Test

25,000 times minimum (30 times/min @ 500g/90 °)

#### Drop

59.05 inches (150cm) drop on concrete surface

## I. Packing

### Dimension

Unit	24 cm X 10.9 cm X 8.6 cm
Carton	57 cm X 37.5 cm X 26.5 cm

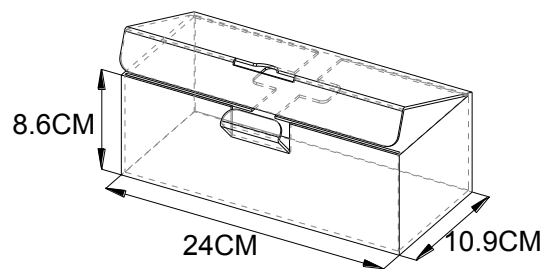
### Weight

Unit	345 g
Carton	8 Kg ( Q'ty :20 pcs )

### Storage

Temperature	-20 °C to 60 °C (-4 °F to 140 °F)
Humidity	20% to 95% (Non-condensing)

### Unit :



### Carton:

