



# FI710

## FI710/IP65 Fixed Mount Area Imager Scanner

SCANTECH ID<sup>®</sup>  
CHAMPTEK Group

### Introduction

The FI710 is equipped with ultra-compact high performance 2D area imager bar code scanning engine, ideal for OEM applications in devices including POS, medical devices, kiosks, lottery terminals and access control devices, a stand option can be ordered to facilitate desktop hand-free reading options.

The FI710 supports with up to 500mm reading depth of 1D and 2D bar codes, scan rate is up to 60 images per second in 1D/2D area mode. It combines decode speed with unmatched motion tolerance to deliver an easy to use scanner with aggressive performance and offers uncompromised performance on current linear barcodes' applications, it can emulate the operation as a linear imagers with scan rates up to 60 images per second when decodes linear barcodes, which is more than three times faster than traditional 1D/2D imagers.

Everything has been done to simplify the integration of the FI710, compact size, multiple mounting possibilities and multiple interfaces selection, such as standard RS232 & USB-HID and USB Virtual COM port.

The FI710 is built to match the most demanding scanning requirements, providing consistent scanning performance in total darkness to full sunshine and over a large temperature range.

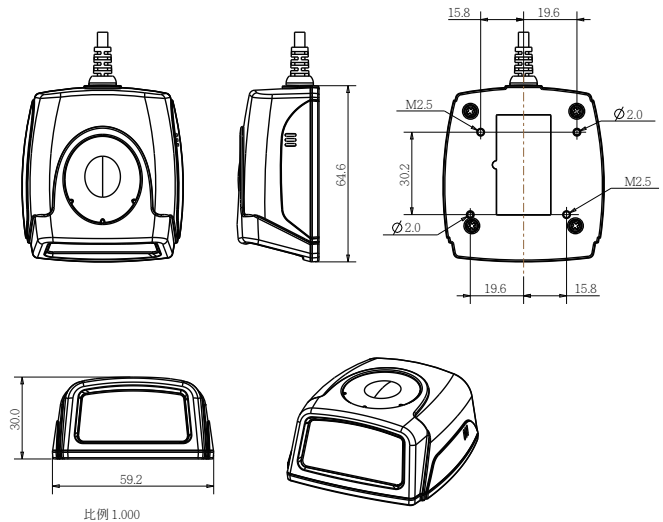
### Features

- Miniature imager provides comprehensive data captures.
- Easily integrated with various OEM application while 1D and 2D barcode scanning.
- Clear aiming frame that make barcode capture easily.
- Center decoding utility to eliminate the need to position items precisely.
- Lightweight and compact design is flexible for external application requirement.
- Rugged casing that supports IP65 Dropping from 1.8m.

# FI710

## Reading Range

Focus Range	Near	Far
5.0 mil Code 39	1.9 in./4.7 cm	7.7 in./19.4 cm
20 mil Code 39	Field of view limited	24.0 in./60.9 cm
6.67 mil PDF417	2.7 in./6.8 cm	7.0 in./17.9 cm
15 mil PDF417	Field of view limited	13.2 in./33.5 cm
10 mil Datamatrix	Field of view limited	8.3 in./21.0 cm
13 mil 100% UPC	2.8 in./7.2 cm	16.8 in./42.4 cm



## Specifications

### Physical Characteristics

Body weight	Approx. 108g	
Cable weight(USB)	Approx. 40g	
Material	ABS/PC +Metal	
Cable Length	SFT.(150cm)	
Dimension	59.2mm W x 64.6mm D x 30.0mm H	

### Electrical Characteristics

Interface	RS232	USB-HID
	DC Adaptor	USB Power
Supply Voltage	DC+5V	DC+5V
Stand by (Typ.)	50mA	50mA
Operation (Typ.)	280mA	280mA

### Environmental

Operating Temp.	-20°C to 50°C (-4°F to 122°F)
Storage Temp.	-40°C to 70°C (-40°F to 158°F)
Relative Humidity	5% to 95% (Non-condensing)
Ambient light	Works in any lighting conditions from 0 to 100,000 lux
Sealing	Designed to IP65 water and dust protection

### Performance

Light source	Visible red light 625nm LED
Scan Speed	60 images per second in 2D mode
Resolution	752 (H) x 480 (V) pixels Horizontal -40°, Vertical -25°
Pitch	±60° (from front to back)
Skew	±60° (from plane parallel to symbol(side- to-side))
Roll	360°
Interface	RS-232, USB(HID KBW or Virtual Com.)
Indicators	Beeper and LED(Green Light)

### Reliability

Life Time	
MTBF(Calculated)	50,000 hours
Temp. Test	
High Temp.	70°C (48H)
Low Temp.	-20°C (48H)
Cable Bending Test	200,000 times/min (30 times/min @ 300g/90°)

Due to Champtek's / Scantech ID's continuing product improvement programs, specifications and features are subject to change without notice.